



Cubicle Track & Standard Components

8770 Cubicle Track

Track Dimensions: 1-1/8" wide x 3/4" high

6063-T5 Extruded Aluminum with Commercial Clear Satin Anodized Finish

Curved on 14" Radius (Fixed Radius)

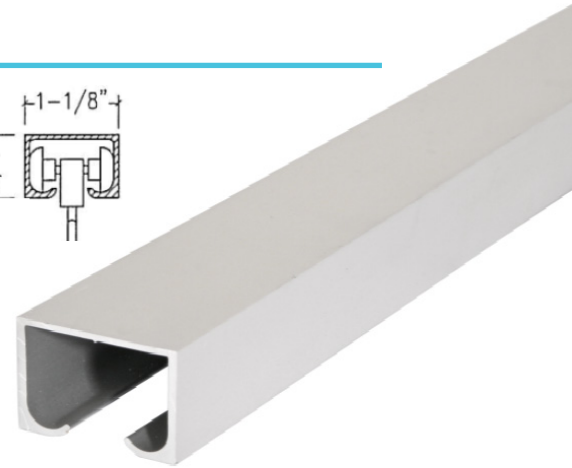
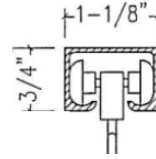
Standard Bends are 90-Degrees and 45-Degrees

Standard Installation is Ceiling Mount Directly to Ceiling

Track is Not Pre-Drilled

Suspension Components are Available to Suspend Track Below Ceiling to Avoid Obstructions (Light Fixtures, Vents, Fire Sprinklers, etc.)

Primary Use is for Privacy Curtains in Hospitals, Nursing Homes and Doctor's Offices



Standard Components



#8780 Nylon Roller Carrier

With Swivel Eye with Hook
(We provide 3 rollers per foot of track)



#8785 End Stop

(We provide one per track)



#8790 End Stop with Pullout

(We provide one per track)



#8795 Splice (Joining Sleeve)

If track is cut for UPS shipping, we will provide necessary splices for use in reassembling track

Questions? Contact James Condon:

james@covoc.com | (714) 879-0341 ext. 206

www.covoc.com